



Custodia Basic 6500

Maximum security blinds with **WK4** certificates

 **sunon**[®]

Custodia Basic 6500

Maximum security blinds with **WK certificates**

Maximum vandal proof security



Custodia Basic model color 9006

The Custodia Basic blind model is designed to ensure the minimum possible buckling with large widths and great resistance to mechanical perforation, vandalism or inertia owing to severe gusts of wind.

Its arched shape plus the reinforcements in its ribs and its greater thickness in the joint areas along with its slotting design between slats achieves the maximum dimensional stability with a minimum diameter and space for it to fit in the withdrawal position.

The design of its hook without any lights grooves no aereation and the minimum amount of running space are designed to avoid the entry of any cutting tools or objects and its shapes, slotting between slats, increase the time and effort required by burglars to gain access to force their way in to your home or business.



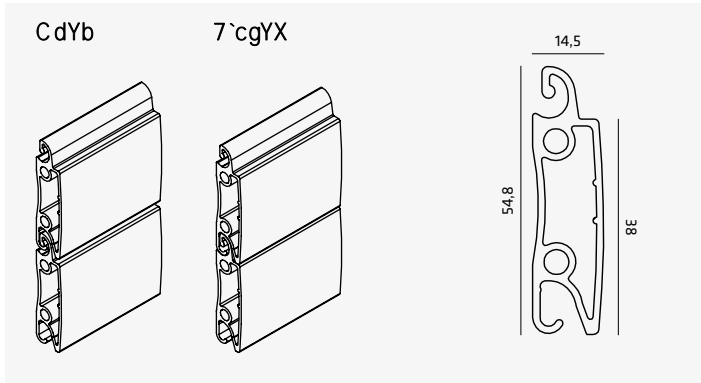
Custodia Basic 6500

Maximum security blinds with WK certificates

5h hAY`Yj Y`cZ hAY`fYg]XYbh]U` \ci g]b[`
]h`]g` W ffYbhm` k]h\ci h` hAY` a cXY`
\Uj]b[` hAY` [fYUhg]h WUdUW]m]b` hYfa g`
cZ k]Xh` UbX` fYg]ghUbW`" : 5g` ghUbXUFXz`
]hg` V`UXYg` UfY` W`a V]bYX` UbX` gYW fYX`
k]h` a YH` d`i [`gmghYa g` h\Uh fYXi W`
VfYU_Xck bg` UbX` a]b]a]nY` hAY` bYXX`
Zcf` a U]bhYbUbW` cb` `ck!YbX` a cXY`g`
k]h` d`Ugh]Wd`i [g`"

5FW]hYWh fU`mz`]h` U`ck g` hc` W`j Yf` Uf[Y`
k]bXck g` k]h\ci h` hAY` bYXX` hc` X]]XY`]h`
]bhc`]k c` cf` a cfY` Y`Ya Ybhg` UbX`
UYgh\Yh]W`m Vm]hg` g]nY` UbX` g\UdYz`]h`
\Ufa cb]nYg` dYfZYW]m k]h` hAY` W ffYbh`
]bYgz`]b` UXX]h]cbz` XYgd]hY`]hg` [fYUh`
fcVi gfbYgg`]hg` UddYUfUbW` XcYg` bch`
UhfUW] hAY` UfhYbh]cb` UbX` UXUdhg` hc` Ubm`
hmdY` cZ]WUXYg` cf` \ci g]b[` cZ ghUbX]b[`
cf` \Uj]b[` "Uf[Y`a cXYfb` VUm`g"

<Y` \Ug` hAY` K ?` ` gYW f]hm W`fh]Z]WU]hY`"
GWU`UV`Y` VUgYX` cb` cdh]cbU` UWW`ggcf]Yg`
UbX` W`bZ[i fUh]cb.
A UI]a i a `a Ubi ZUW] f]b[`k]Xh` *(\$`\$`a a`
UbX` a UI]a i a `W`j YfYX` UfYU`% `a &`
K Y][\h`dYf`a `z` `%(z` `_[` "



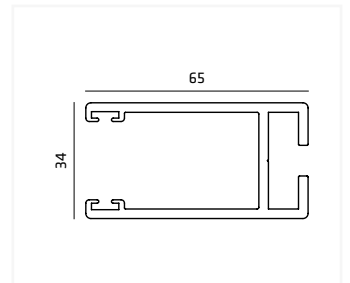
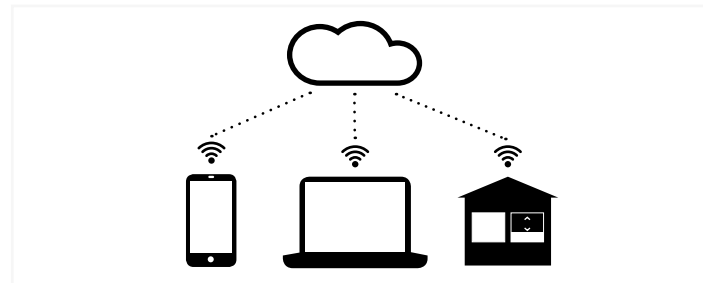
Fc`Yf`hUV`Y` *`\$`a a `UI`Y`

@` <H`<9` <H`	@` <H`7C]9F`	
cm	A	B
125	16,6	18,2
150	17,8	18,6
175	18,8	20,6
200	20,0	20,6
225	21,3	20,6
250	21,3	23,0
275	23,0	24,2
300	23,5	25,2

D5F57 <I H9G

: F99`7CBHFC @: FCA `A C 6=@9`
89J =79G`5B8`7CA DI H9FG

; I =89G



H=DG`5B8`K 5FB=B; G

6i f[`Ufg` \Uj Y` YUg]m` YUfbYX` \ck` hc` cdYb` gY`Z` cW_]b[` V`]bXg`
g]a d`m Vmi` g]b[` U`a YH` g\YYh cf` d`Ugh]WdUdYf` g\YYh` d`UW]b[`]h`
]b` gi` W` U`k Umh\Uh hAY` ga U` d`fcZ]Yg` Xc` bch]d]YfW` hAY` [i]XYg`"

: cf` k]bXck g` k \YfY` dYcd`Y` dUgg` Vmz` UbX` XYdYbX]b[` cb` hAY`
k Y][\h` cZ hAY` V`]bXgz` U` dUfUW] hAY` gmghYa ` cf` ch\Yf` gUZ]m`
gmghYa g` \Uj Y` hc` VY`]bghU`YX`"

HAY` W`a V]bUh]cb` cZ X]ZYfYbh` dYdUfUhg]cbg`]b` bYk` k cf`_gz` gi` W` U`g`
Ya VYXXYX` [i]XYgz` W`bbYW]cb` cZ V`]bXg` hc` U`Ufa g` fUXUF` UbX`
ch\Yf` XYhU]g` UW.]Yj Y` U`a cfY` YZZ]VYbh` i b]h` Zcf` hAY` gUZ]m` cZ mci f`
\ca Y` UbX` Z]a]m`"

HAY` a YUb` Xi fUV]]m` cZ hAYg` a cXY`g`]g`]b` YI W`gg` cZ ` \$`
m`Ufgz` a YUb]b[` h\Uh` Ub`]bj Ygra Ybh`]b` hYa`]g` bch` cb`m`
gYW fY` Vi h` U`gc` d`fcZ]hUV`Y` Ug`]h`]bj c`j Yg`]hY` a U]bhYbUbW`
UbX` a U`cf` fYXi W]cbg`]b` hAY`Zi]bgi` fUbW` cf` gi` fY`]UbW` W`g`hg`"